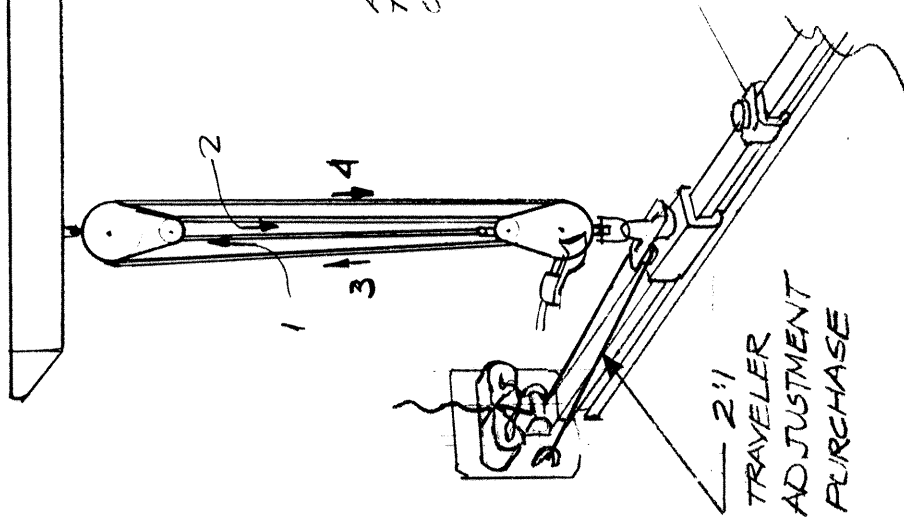


ATTACH VANG BLOCK TO CENTER, AFT HOLE ON MAST STEP PLATE.

- BOOM VANG -
4:1
LITTLE FIDDLE BLOCK ON BOOM
LITTLE FIDDLE BLOCK W/ BECKET AND CAMCLENT ON MAST BASE



ADJUSTABLE STOPS -

2" TRAVELER ADJUSTMENT PURCHASE

- MAINSHEET -
TRAVELER AS ILLUSTRATED FOR HULL NO'S 92 AND BELOW REFER TO CABIN TOP TRAVELER ILLUSTRATION FOR HULLS 93 AND ABOVE

CAPRI SAILBOATS INC.
21200 VICTORY BLVD.
WOODLAND HILLS, CA

SCALE: ~	APPROVED BY:	DRAWN BY DC
DATE: 10-12-89		REVISED 11-22-89
MAINSHEET AND VANG SCHEMATIC COCKPIT MTD. TRAV.		
CAPRI 26		DRAWING NUMBER 260-38005-1