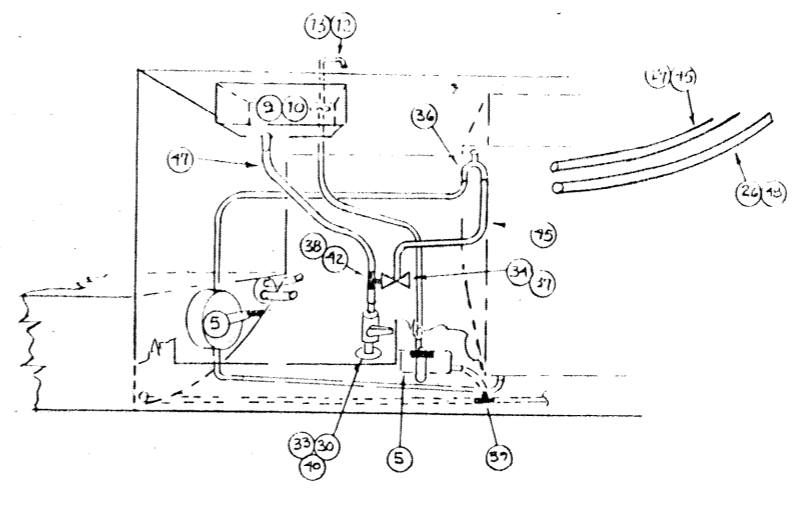
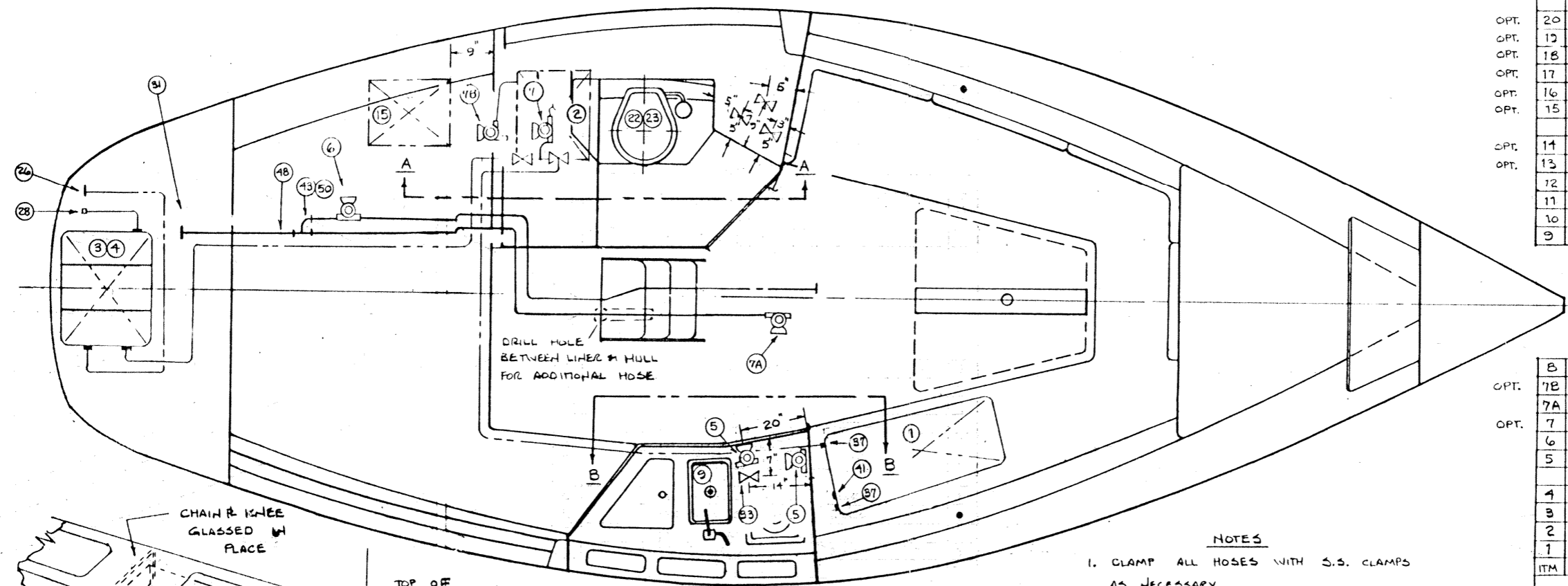


SECTION A-A  
NO SCALE



SECTION B-B  
NO SCALE



TANK BLOCKING DIAGRAM  
NO SCALE

SECTION A-A  
NO SCALE

- NOTES**
1. CLAMP ALL HOSES WITH S.S. CLAMPS AS NECESSARY.
  2. SUPPORT HOSES APX. 18" ON CENTER.
  3. WASTE IN AFT WATER TANK REQUIRE STRAPPING TO SECURE TO MOUNTING FLATS.

50	ADAPTER	1/2" MPT x 1" HB		
49	HOSE, REINFCO	1 1/2"		
48	HOSE, REINFCO	1"		
47	HOSE, REINFCO	3/4"		
46	HOSE, HEATER	1/2"		
45	HOSE, REINFCO	1/2"		
44	TUBE	1/2"		
OPT. 43A	TEE, MPT	1 1/2"	1	
OPT. 43	ADAPTER	1/2" MPT x HB	2	
42	TEE	3/4" HB x 1/2" MPT x 3/4" HB	1	
41	ADAPTER	3/4" MPT x 1" HB		
40	ADAPTER	MPT x HB	3/4"	
39	TEE	HB	1/2"	5
38	ADAPTER	90° MPT x HB	1/2"	
37	ADAPTER	MPT x HB	1/2"	
36	VALVE, ANTI-SIPHON	1/2"		
OPT. 35	VALVE, CHECK	1/2"		
34	VALVE, GATE	1/2"		
33	VALVE, GLOBE	3/4"		
32	VALVE, GLOBE	1/2"		
31	THRU-HULL, MSHRM	1"		
30	THRU-HULL, FLUSH	3/4"		
29	THRU-HULL, FLUSH	1/2"		
28A				
28	VENT, FITTING	1/2"	1	
27	VENT, STRANCHION	1/2"	1	
26	FITTING, H2O FILL	1"	2	
OPT. 25	FITTING, WASTE PUMPOUT	1 1/2"	1	
OPT. 24	FITTING, VENT	3/4"	1	
OPT. 23	TOILET, HAND PUMP		1	
22	TOILET, SELF CONTD.		1	
20	ADAPTER, BRG	3/8" MPT x 3/8" HB	2	
OPT. 19	ADAPTER, BRG	1/2" MPT x 1/2" HB	2	
OPT. 18	HOSE, ENG	BYPASS	3/8"	
OPT. 17	HOSE, ENG	BYPASS	3/8"	
OPT. 16	VALVE, BLEEDER ET ENGR. COOLNT TANK		1	
OPT. 15	HEATER, H2O		1	
14	FAUCET, HEAD	GROHE	1	
OPT. 13	FAUCET, GALLEY	GROHE	1	
12	FAUCET, SPIGOT		1	
11	FAUCET, ROCKER		1	
10	DRAIN, SINK		2	
9	SINK, RECT. SS		1	

OPT. 8	SINK, OVAL SS		1	
7B	PUMP, MASCEATOR		1	
7A	PUMP, BILGE		1	
OPT. 7	PUMP, H2O PRESSURE SHURFLO		1	
6	PUMP, HAND BILGE	WHALE	1	
5	PUMP, FOOT	WHALE	2	
4	TANK, H2O (H2O)	RANCO	1	
3	TANK, WASTE (H2O)	RANCO	1	
2	TANK, WASTE (C-23)	RANCO	1	
1	TANK, H2O	RANCO	1	
ITEM	CAT. PT. NO.	DESCRIPTION	QTY	

1	ADD BILGE & MASCEATOR PUMPS	9-1-70
REV.	DESCRIPTION	DATE

**DATALINA YACHTS**  
 8100 VICTORY BLVD.  
 ROCKLAND, MASS. 01866

... 1-1-70 ... GB  
 ... 5-6-70 ... 9-1-70

**FRESH WATER, WASTE & DRAIN SYSTEM**  
 CAPRI 26 260-6001-1